

SF-E Sleeve Wrapping Systems



SF-E SA
Semi-Automatic



SF-E NF In-Line
Automatic



SF-E AU Side Feed
Automatic



SF-E AU PLC Electronic Feed
Automatic

The SF-E range boasts high-precision mechanics and performs advanced technological solutions: compact to fit small dimensioned areas, ensure energy saving, high speed and precision even during routine operation, flexibility and low maintenance.

Technical Specification

- Production speeds from: 5-50 packs per minute.
- Self-cleaning hot bar to provide precise smoke-free sealing (no maintenance is required).
- Pneumatic air blower for fast cooling of the sealing.
- Upper and lower motor operated film unwind by adjustable cams.
- Shrink wrapping tunnel with special thermo-insulating system to ensure energy saving and cold external frame.
- High quality electrical parts, digital temperature controllers and tunnel conveyor speeds adjustable by inverter.
- Operation versatility thanks to a wide range of modular accessories.
- 90° and inline feed systems are available.
- Automatic accumulation of multipacks programmable by PLC.
- All machines can run trayless or with cardboard tray under the product.
- Electronic version with servo pusher for high speed and high accuracy.
- Available in 600mm, 800mm, 1100mm and 1500mm wide versions.

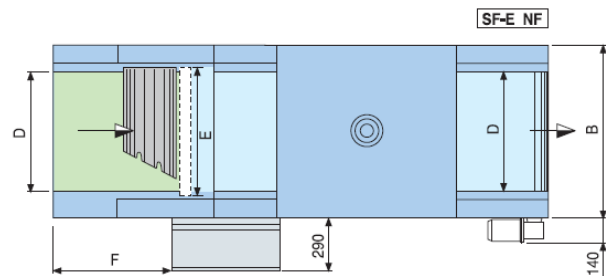
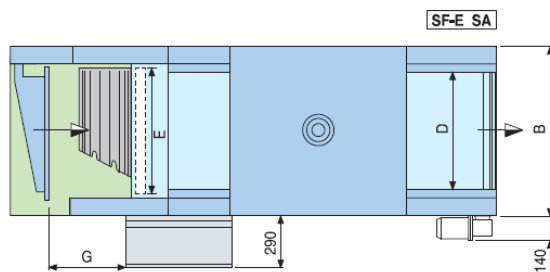


Options

- | |
|---|
| ✓ Quick feeding with partition on more rows. |
| ✓ Automatic flat cartoning insertion to stiffen the packages and improve palletising. |
| ✓ Feeding with piling up group to achieve multi layered packages. |
| ✓ Possibility to achieve total enclosure of sides by film overlapping. (SF-E NF) |

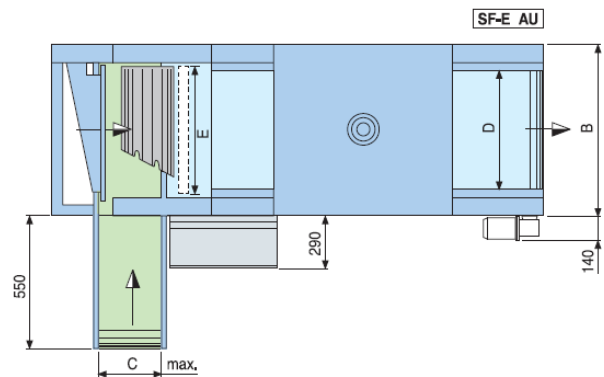
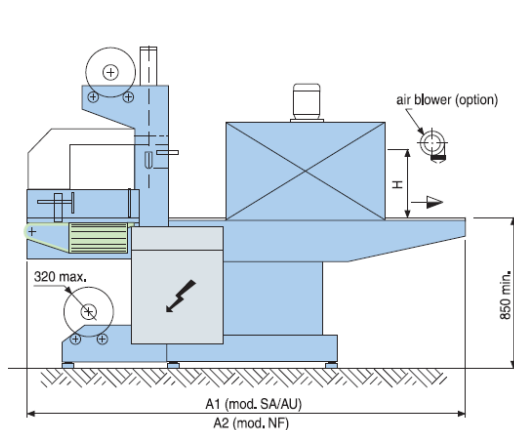
SF-E		600	800	1100	1500	
A1	Total length	2560	2960	3060	3710	
A2	Total length	2460	2960	3285	4185	
B	Machine width	770	970	1270	1670	
C	Feed belt width	350	450	450	650	
D	Conveyor width	460	660	960	1360	
E	Sealing bar width	560	760	1070	1470	
F	Feed belt width	700	900	1100	1500	
G	Maximum pack length	400	500	500	700	
H	Maximum pack height	320	350	400	350	600
	Maximum size of film reel	500	700	1000	1400	
	Approximate weight	600	750	900	1380	
	Installed power (kW)	8.8	17.4	22.2	29.5	34.8
	Average power use (kW)	4/6	8/12	10/15	13/18	

Dimensions are shown in millimetres



SF-E SA: semi-automatic for manual loading. Suitable for contract packing and manufacturing where **lower speeds** with regular and quick change over is required.

SF-E NF: in-line feeding machine suitable for **medium and large packs**, S version tunnel provided with a double blower air system. Possibility to achieve total pack side closure by film overlapping.



SF-E AU: An automatic machine with a 90° positioned feed station. This compact system ensures **high-speed production** for small-medium packages.



Call 0845 680 60 60
 or email info@kern.co.uk
www.kernpack.co.uk